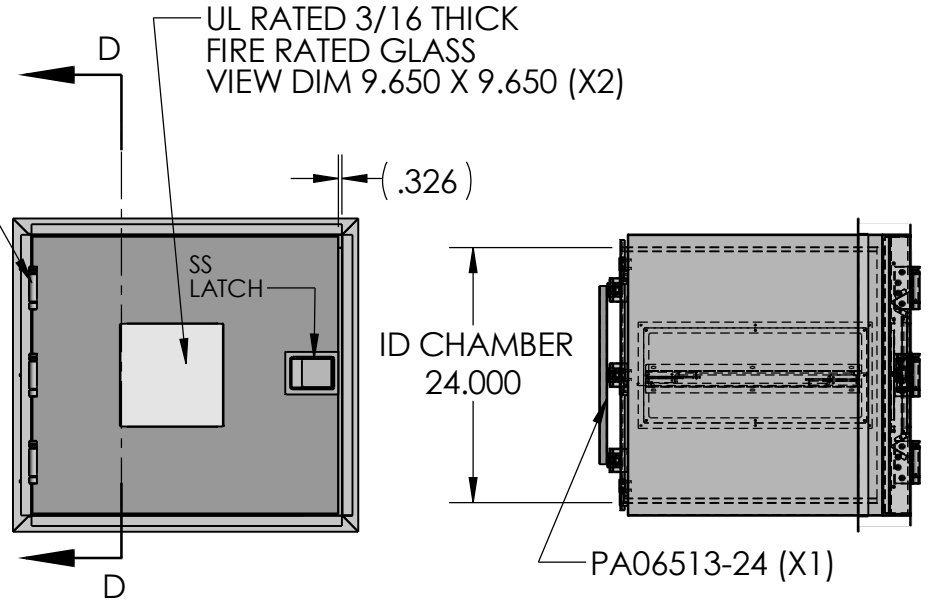
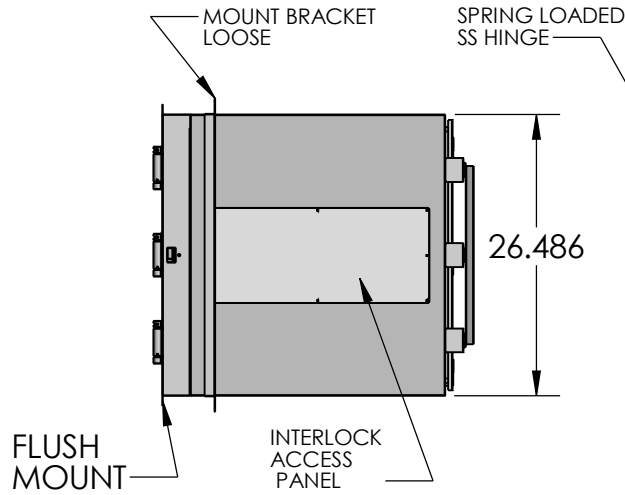
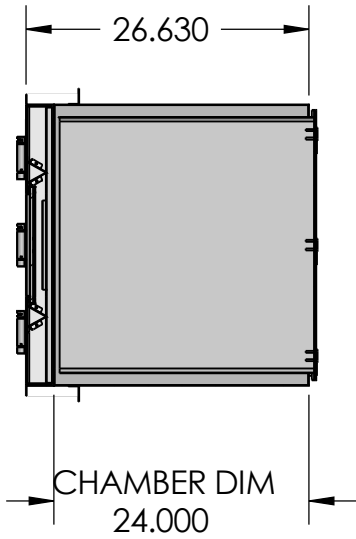
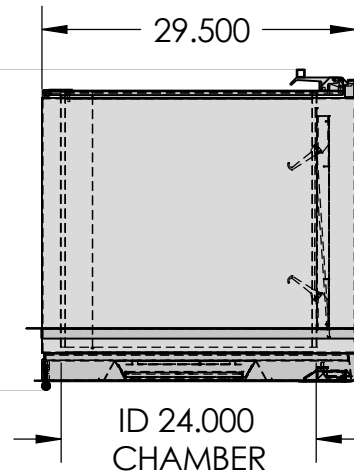
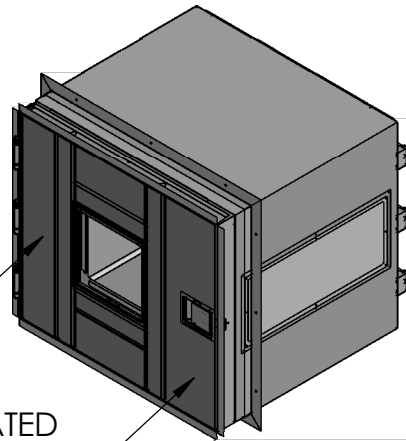


SECTION D-D
SCALE 1 : 18



UL FIRE RATED DOOR

INSULATION FIRE RATED
PA06564



WALL CUT OUT
30.000 W X 26.986H

REVISIONS			
RV#	DESCRIPTION	DATE	BY
NC	INITIAL RELEASE	10-25-17	JR
○			

MATERIAL SPEC.
316L SS

FINISH SPEC.

UNLESS OTHERWISE SPECIFIED, DIMENSIONS ARE IN INCHES	
TOLERANCES ON:	
.XX DECIMALS ± .03	X' ± 1"
.XXX DECIMALS ± .010	X/X ± 1/64
SIGNATURES	
ISSUED BY: <i>JUAN R</i>	DATE: 10-25-17
REF #:	



PROPRIETARY & CONFIDENTIAL
ALL RIGHTS RESERVED BY
TERRA UNIVERSAL
DISCLOSURE OR COPYING PROHIBITED

TITLE	
PASS-THROUGH; 316L SS CLEANMOUNT CLEANSEM ID 24.000W X 24.000H X 24.000H ISOLATED INTERLOCK FIRE RATED DOOR	
A	2638-75B-2-316-FR
SCALE	SHEET 1 OF 28