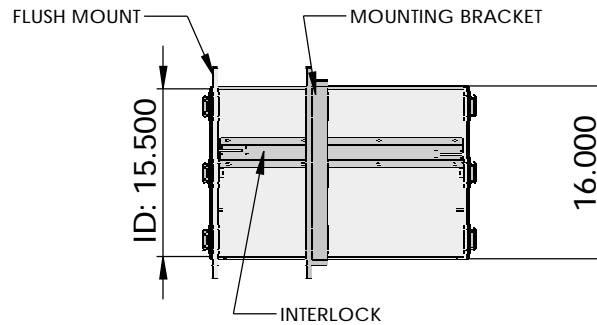
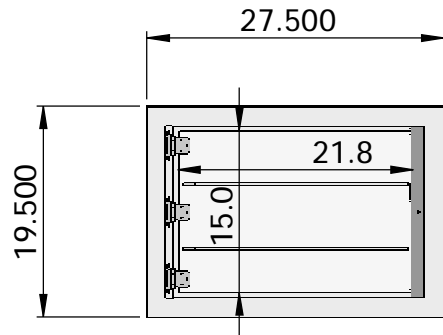
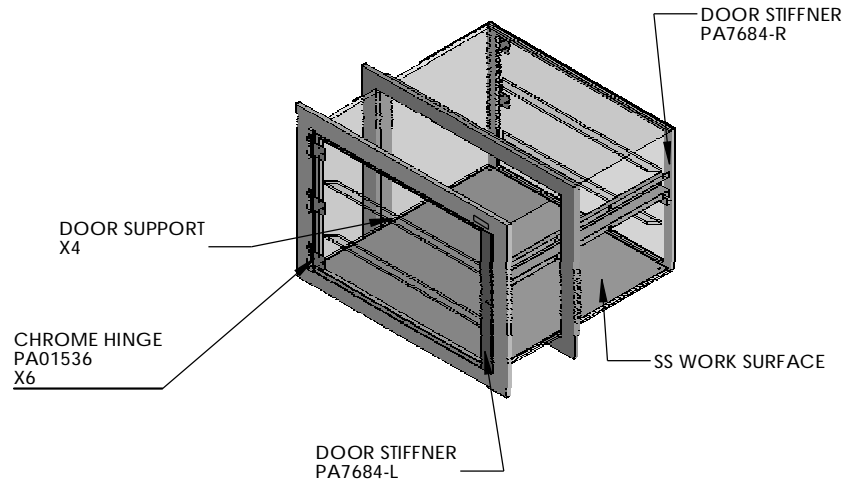
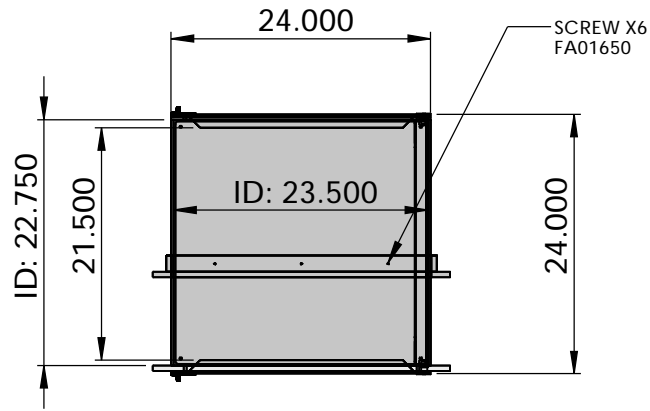
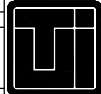


ALL SHOPS



WALL CUT OUT  
24.500 W X 16.500H

REVISIONS				MATERIAL SPEC.	FINISH SPEC.	UNLESS OTHERWISE SPECIFIED, DIMENSIONS ARE IN INCHES		 <b>Terra Universal</b>	TITLE	
RV#	DESCRIPTION	DATE	BY			TOLERANCES ON:			A	VALULINE PASS-THROUGH POLYPROPYLENE 24W X 24D X 16H
NC	INITIAL RELEASE	2-27-18	JR	POLYPROPYLENE CLAR ACRYLIC DOORS		.XX DECIMALS ± .03	X" ± 1"	<small>Proprietary &amp; Confidential All rights reserved by TERRA UNIVERSAL Disclosure or Copying Prohibited</small>	A	2634-06A
						SIGNATURES				
						ISSUED BY: JUAN R	2-27-18		SCALE	SHEET 1 OF 9
						REF #:				